

M8x1.25 6H x 5.00/5.00

A-A (1:1)

Created by
茂木 康行 2020/11/09

Document type

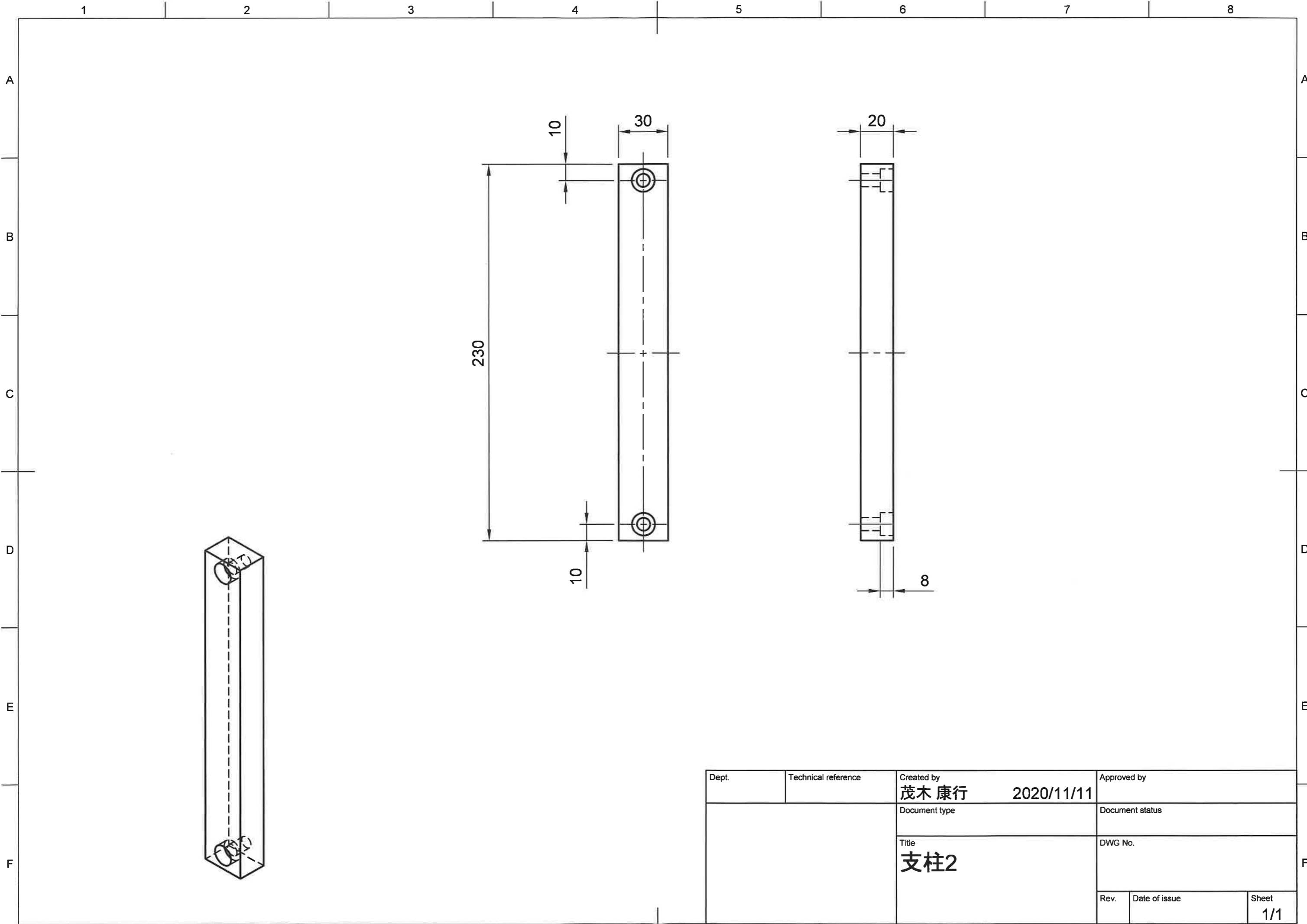
Title
ベーススタンド2

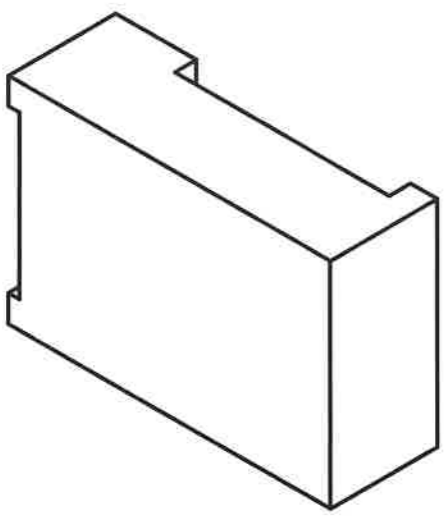
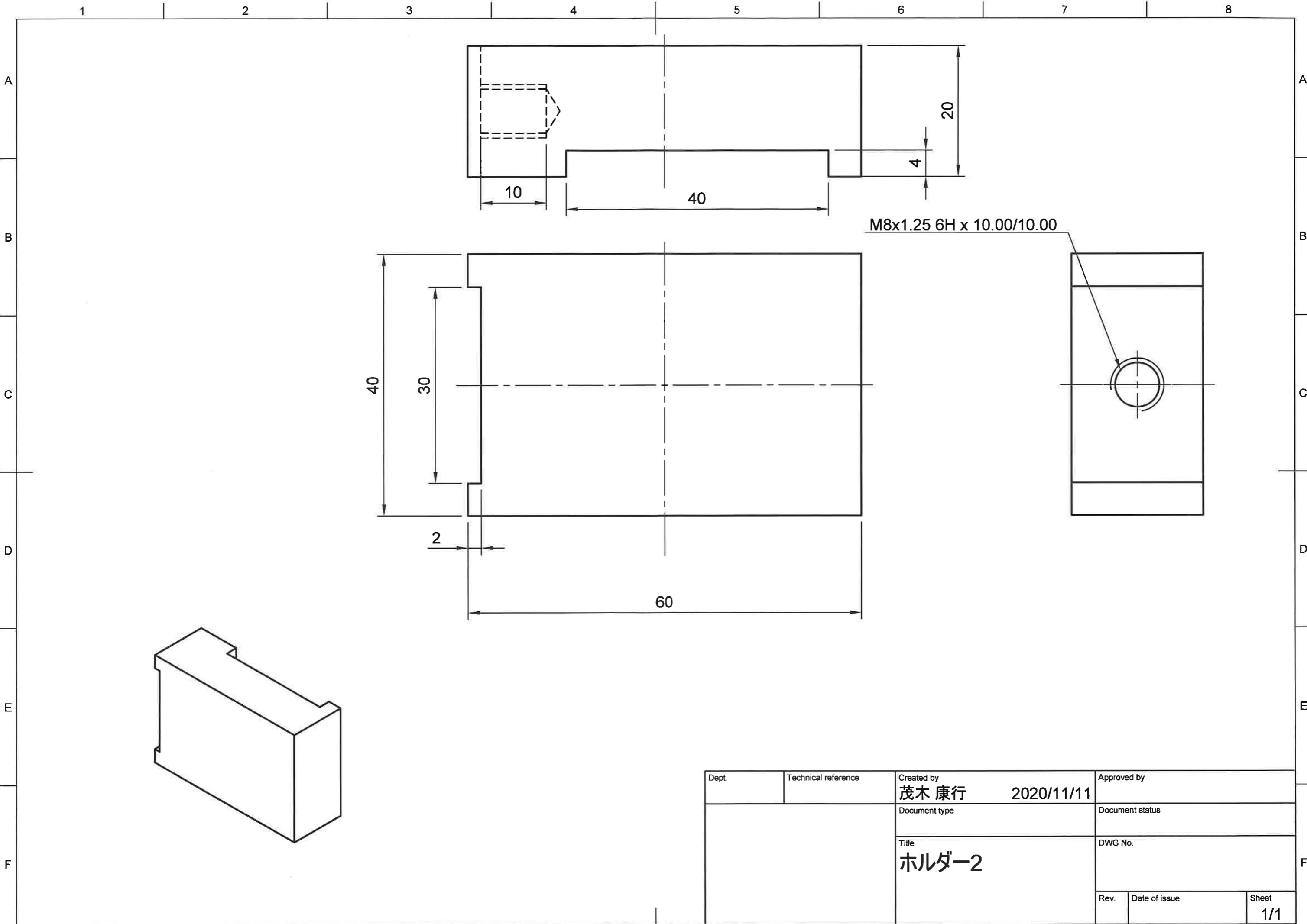
Approved by

Document status

DWG No.

Rev.	Date of issue	Sheet
		1/1





Dept.	Technical reference	Created by 茂木 康行	2020/11/11	Approved by	
		Document type	Document status		
		Title ホルダー-2	DWG No.		
		Rev.	Date of issue	Sheet 1/1	